



- ALUMINIUM DOORS
- WINDOWS
- ELEVATION

PRODUCT BOOKLET

www.SkyArchEnterprise.in





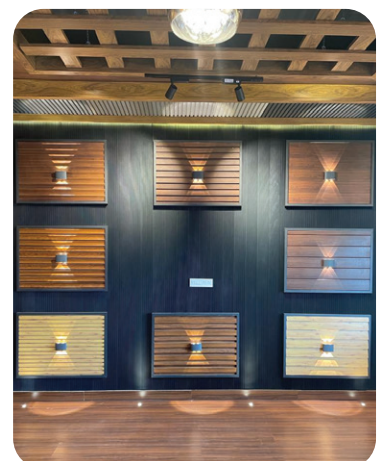
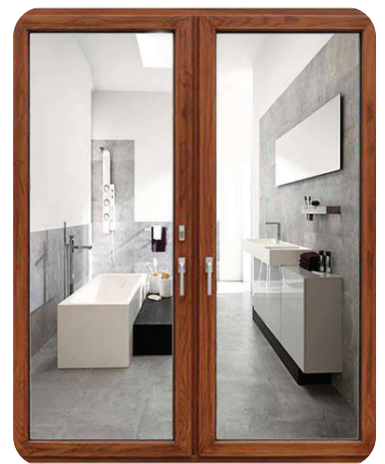
Build Dreams!

**Leading Manufacturer
of Aluminum Doors, Windows
& Aluminum Products,
Decorative Laminates.**



Skyarch is India's upcoming system window leader. We are a 15 + year old organization, with phenomenal experience and exposure to creating Dreamhouse interiors for our clients. Focusing on a customer-centric approach.

Skyarch Enterprises has a pan-India presence and caters to a huge consumer base throughout the country. Buy Aluminum & Aluminum Products in bulk from Sky Arch Enterprises at Trade India quality-assured products.





**Skyarch windows,
All weather resistant solution**



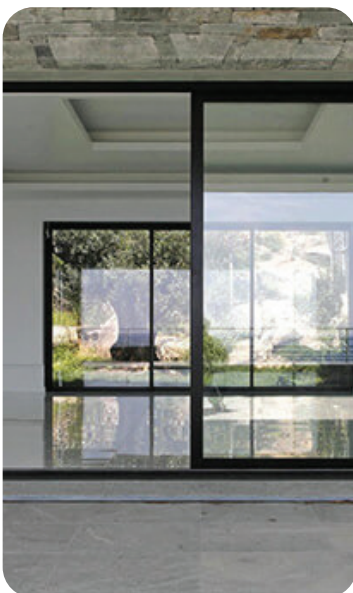
Parallel Opening
Windows



Top, Bottom Hinge
Casement Windows



Customised
Windows



2 Track
Slidings



Center Opening
Casement Doors



Side Hing
with Fixed Glass



Double Door
Center Opening
Casement Windows



Double Door
Center Opening
Casement Windows
with SS Mesh



Centre Opening
French
Windows



3 Track Sliding Windows



Fix Corner Glass
Windows



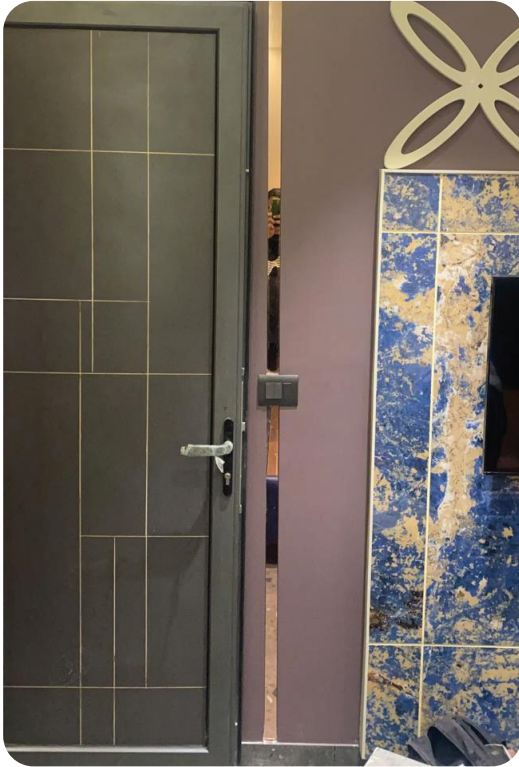
Sliding Folding
Doors



Fixed Glass
Windows



Aluminum Wall Panel



Casement Flush
Door



Cubical Shower



Glass Railing with Aluminium Frame



Glass & ACP Elevation



ACP Glazing



Glass & ACP Elevation

40 MM Casement Series (Standard Series)

ALUMINUM CASEMENT WINDOWS AND DOORS

This 40mm Series Aluminum Alloy grade 6063 with hardness of T6 is most common series selected by most of the builders and consumers for their number of applications like in Doors, Windows, Cubical Shower and Partitions. This series can be used to open single door up to 7 feet height, it is cost effective product well suits for the application up to 7 feet height door for fix partition it can used up to 12 Feet Height.

FEATURES:

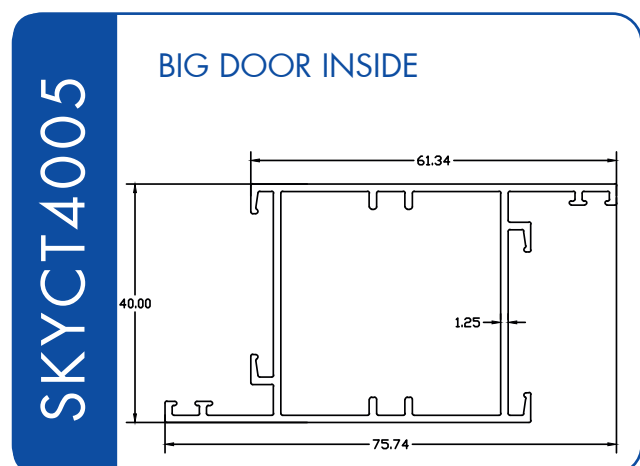
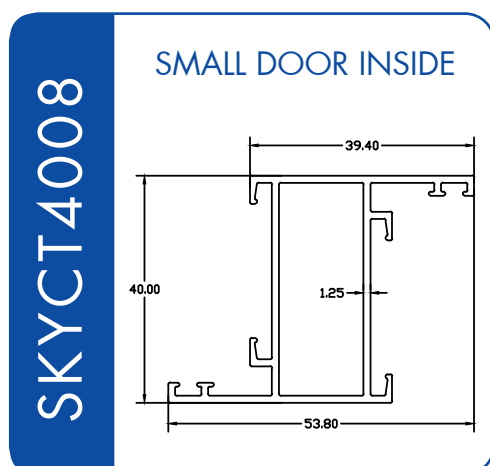
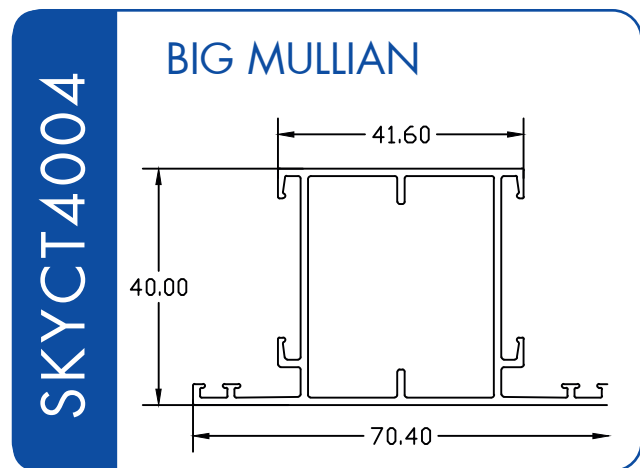
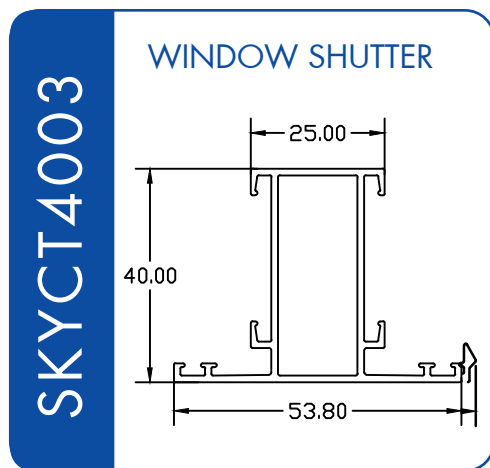
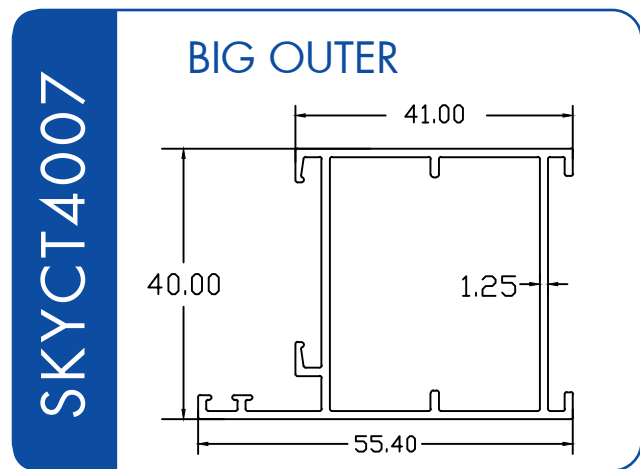
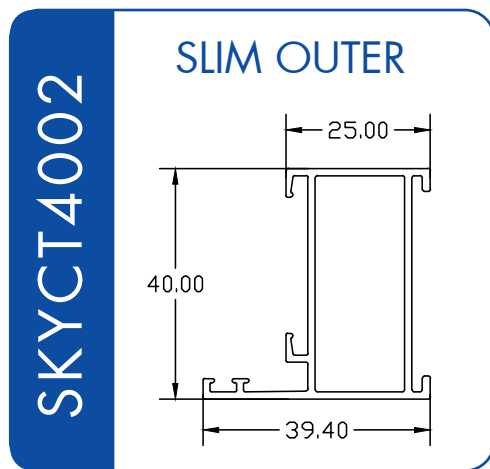
- Air Tight
- Dust Proof
- Sound Insulation
- Water Proof
- All Weather Resistance Solution
- EPDM (Ethylene Propylene Diene Monomer) Rubber Gasket
- SS Wall Fasteners.

GLASS OPTIONS: -

- Plain Toughened From 5mm to 12mm Thick
- Double Glass Unit DGU or Heat Insulated Glass with argon gas between two glass max width up to 24mm can be used in this series.
- Security Glass or Laminate Glass
- Designer Glass (Frosted, Color, Flutes, etc.)

40 MM Casement Series (Standard Series)

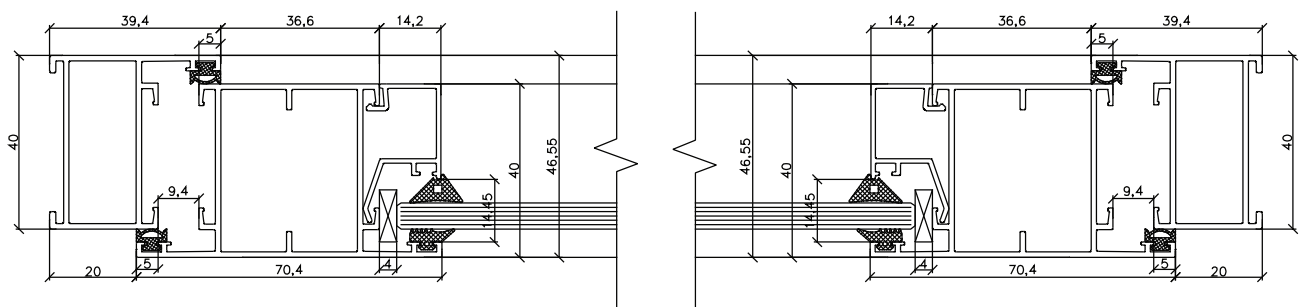
ALUMINUM CASEMENT WINDOWS AND DOORS



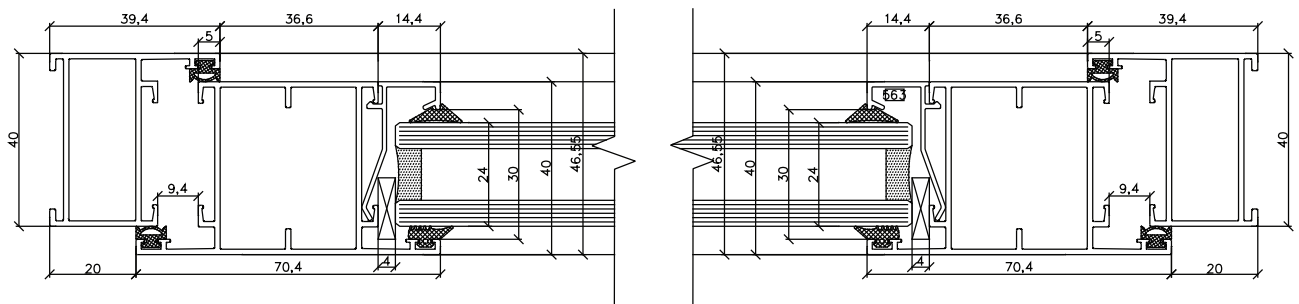
40 MM Casement Series (Standard Series)

ALUMINUM CASEMENT WINDOWS AND DOORS

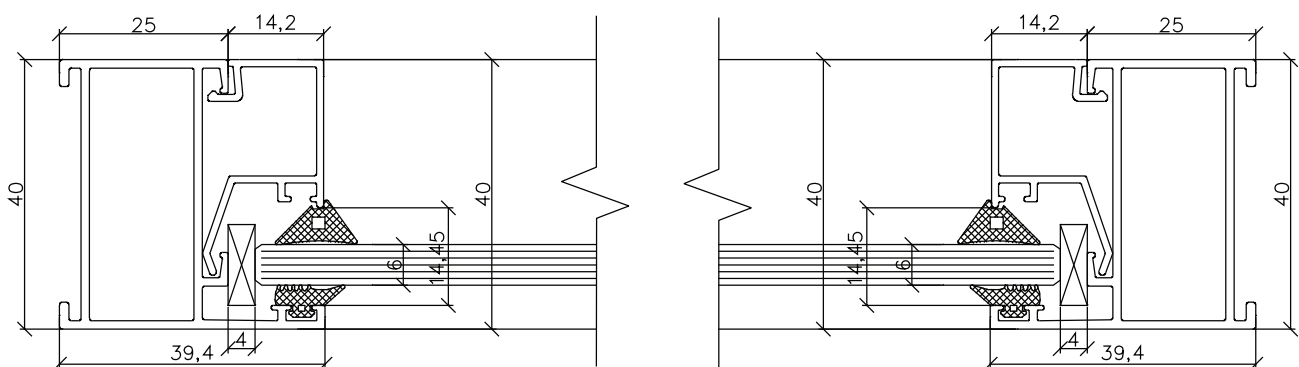
Aluminum Door For Glass up to 13.5mm Thick



Aluminum Door For DGU Glass up to 24mm

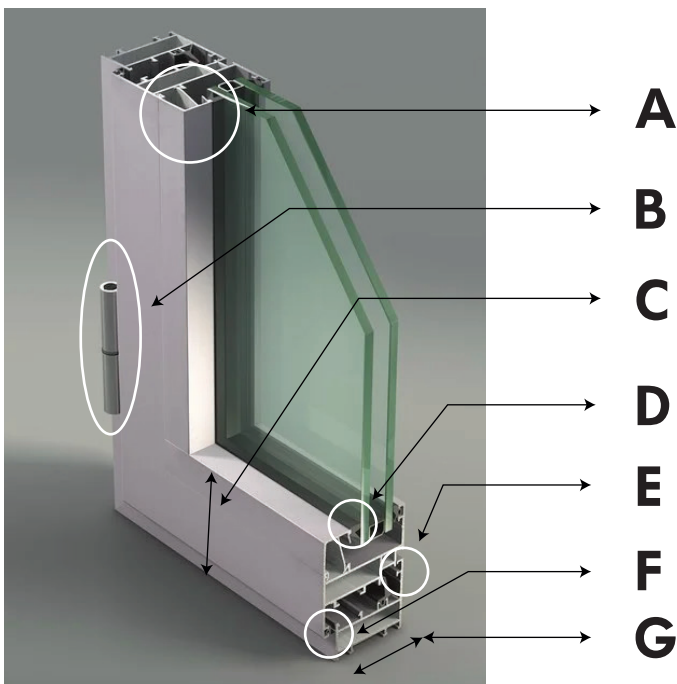


Aluminum Fix Window



40 MM Casement Series (Standard Series)

ALUMINUM CASEMENT WINDOWS AND DOORS



50 MM Casement Series (Premium Series)

ALUMINUM CASEMENT WINDOWS AND DOORS

This 50mm Series Comes with Aluminum Alloy grade 6063 with hardness of T6 is most common series selected by most of the builders and consumers for their number of applications like in Doors, Windows, Cubical Shower and Partitions. This series can be used to open single door up to 13 feet height, it is Premium product well suits for the application up to 13 feet height door for fix partition it can used up to 15 Feet Height.

FEATURES:

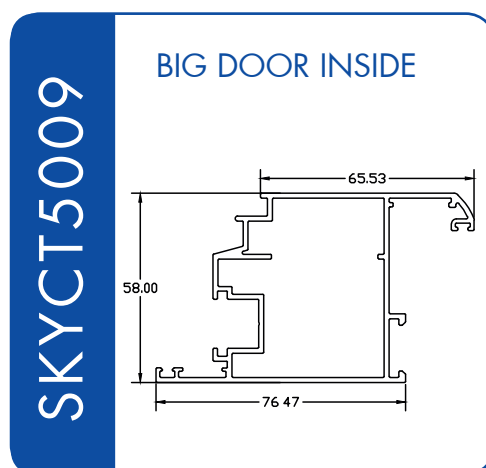
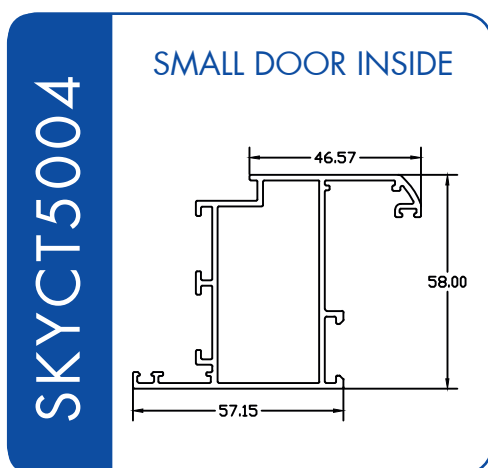
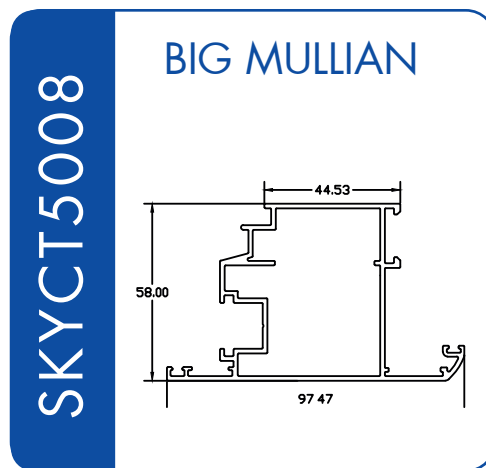
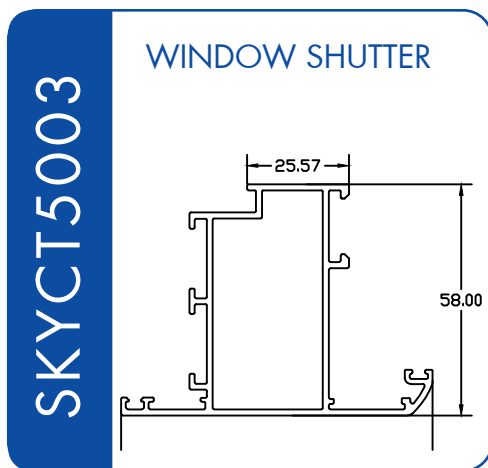
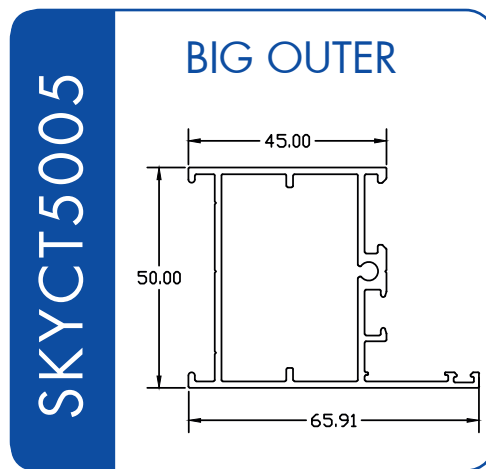
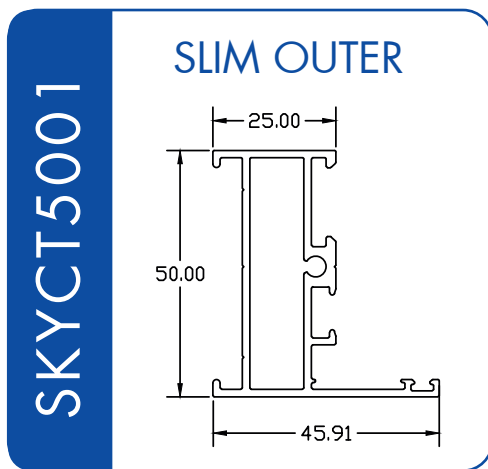
- Air Tight
- Multiple Locking
- Dust Proof
- Sound Insulation
- Water Proof
- All Weather Resistance Solution
- EPDM (Ethylene Propylene Diene Monomer) Rubber Gasket
- SS Wall Fasteners.

GLASS OPTIONS: -

- Plain Toughened From 5mm to 12mm Thick
- Double Glass Unit DGU or Heat Insulated Glass with argon gas between two glass max width up to 32mm can be used in this series.
- Security Glass or Laminate Glass
- Designer Glass (Frosted, Color, Flutes, etc.)

50 MM Casement Series (Premium Series)

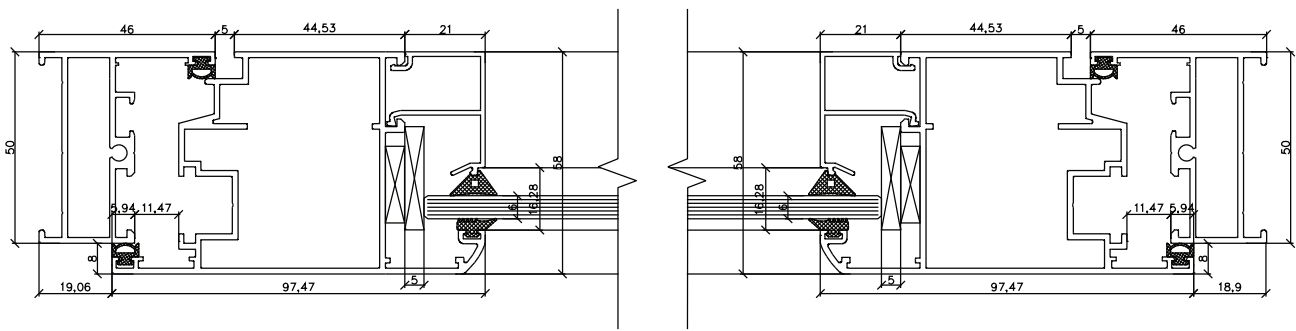
ALUMINUM CASEMENT WINDOWS AND DOORS



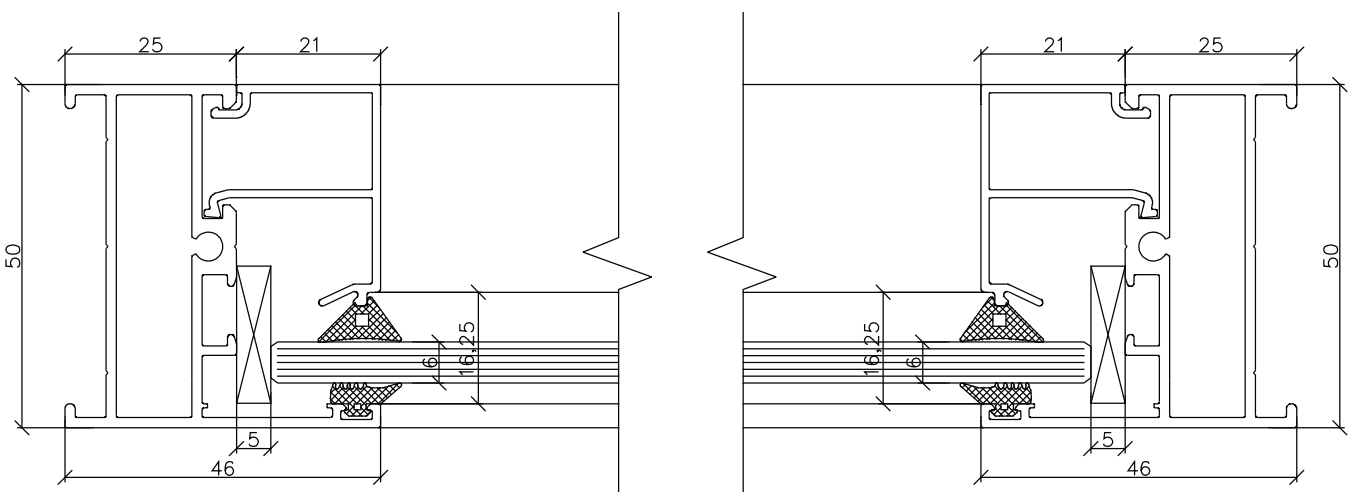
50 MM Casement Series (Premium Series)

ALUMINUM CASEMENT WINDOWS AND DOORS

Aluminum Door For Glass up to 32mm Thick

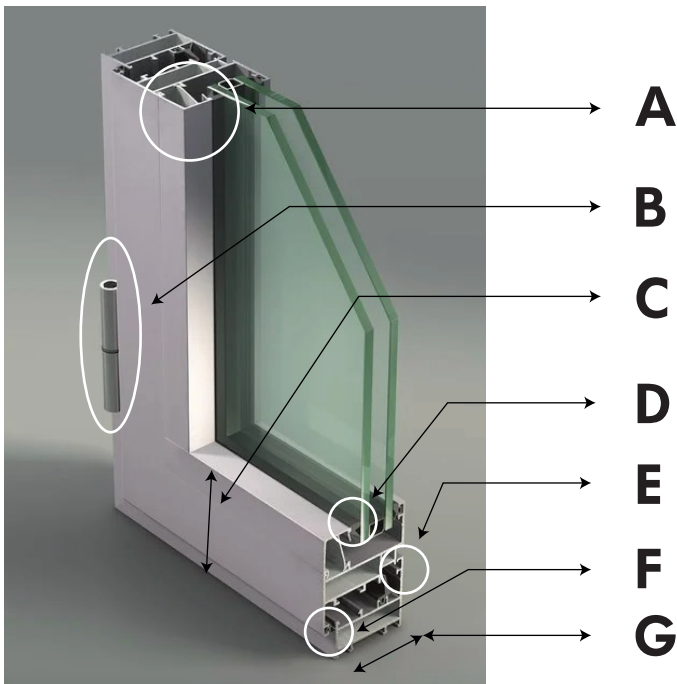


Aluminum Door For Fix Window



50 MM Casement Series (Premium Series)

ALUMINUM CASEMENT WINDOWS AND DOORS



27 MM Sliding Series (Standard Series)

ALUMINUM SLIDING WINDOWS AND DOORS

This 27mm Series Also Comes with Aluminum Alloy grade 6063 with hardness of T6 is most common series selected by most of the builders and consumers for their number of applications like in Doors, Windows and Partitions. This series can be used to slide shutter up to 8 feet height. We offer two tracks, three tracks, one fix one slide and one fix two slides' options.

FEATURES:

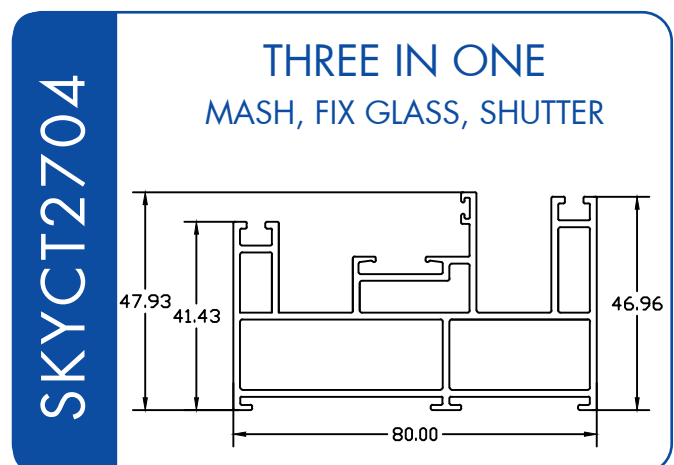
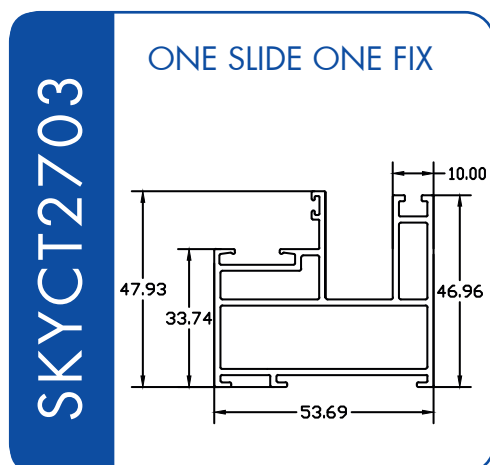
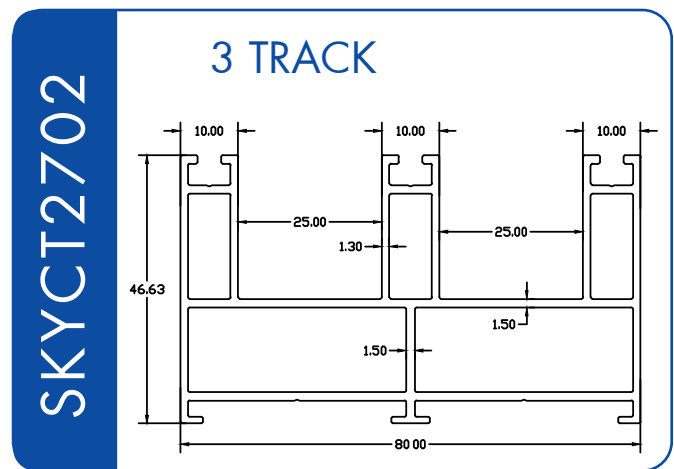
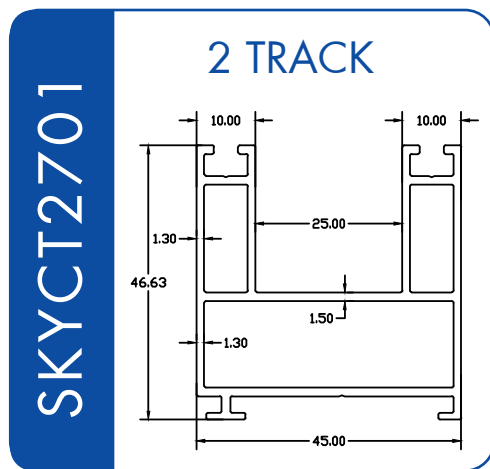
- Dust Proof
- Sound Insulation
- Water Proof
- All Weather Resistance Solution
- EPDM (Ethylene Propylene Diene Monomer) Rubber Gasket
- SS Wall Fasteners.
- Long Last Brushes

GLASS OPTIONS: -

- Plain Toughened From 5mm to 12mm Thick
- Double Glass Unit DGU or Heat Insulated Glass with argon gas between two glass max width up to 24mm can be used in this series.
- Security Glass or Laminate Glass
- Designer Glass (Frosted, Color, Flutes, etc.)

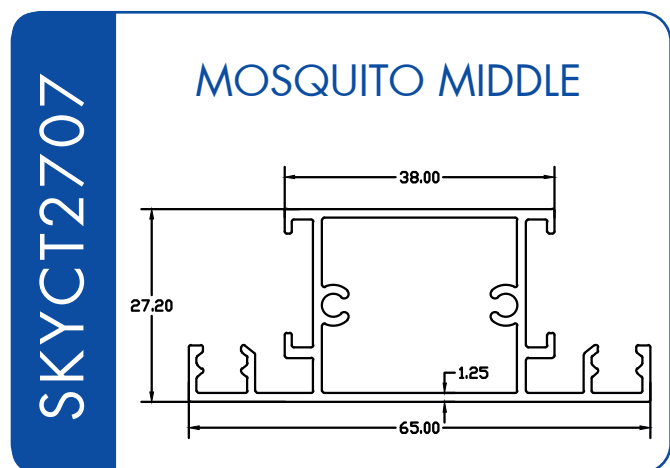
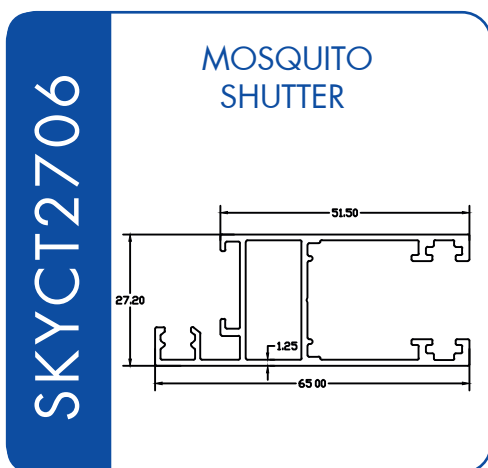
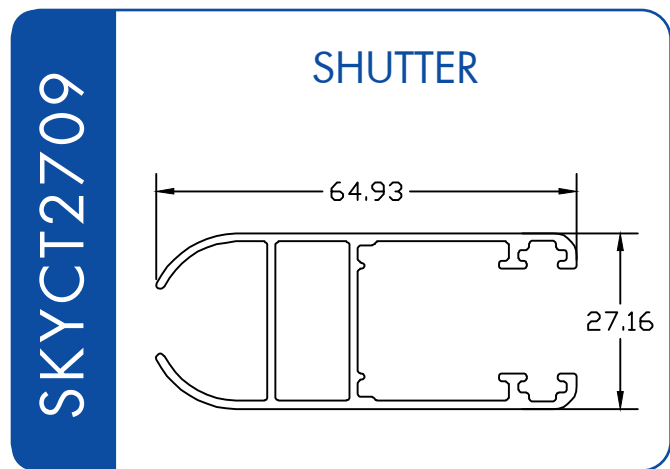
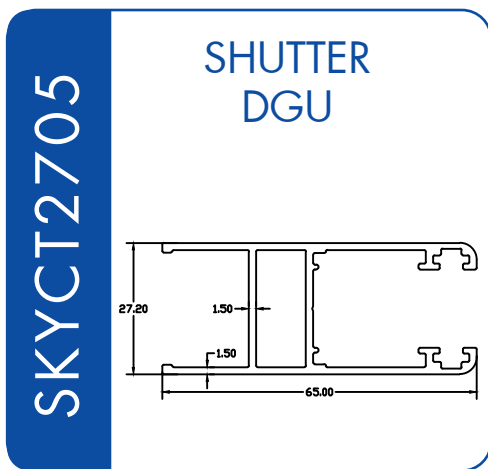
27 MM Sliding Series (Standard Series)

ALUMINUM SLIDING WINDOWS AND DOORS



27 MM Sliding Series (Standard Series)

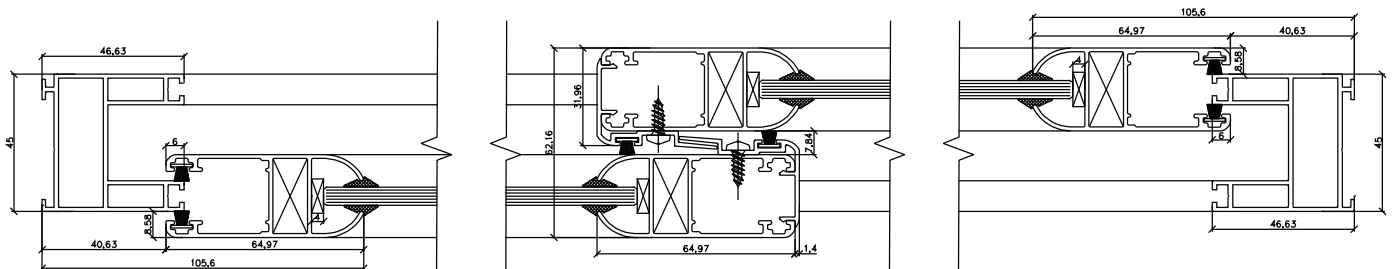
ALUMINUM SLIDING WINDOWS AND DOORS



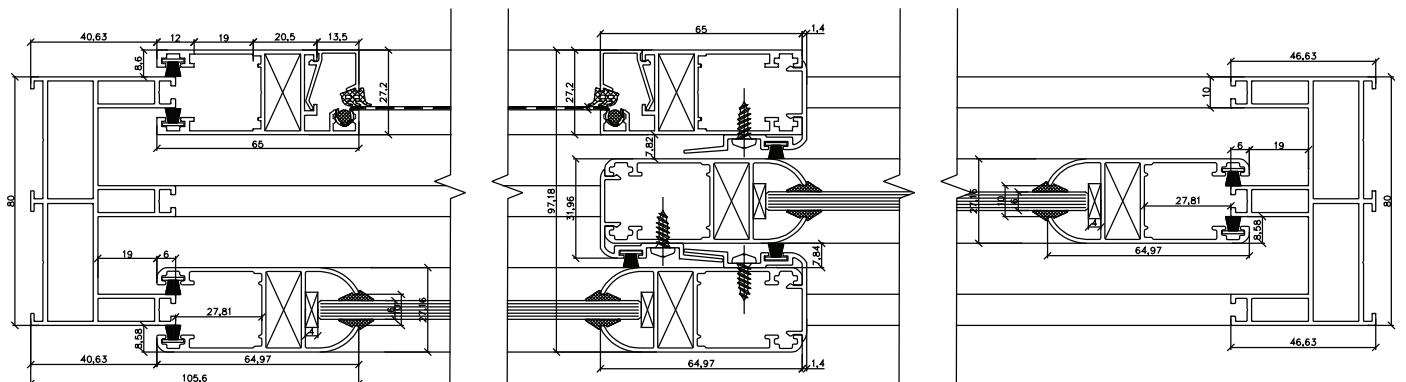
27 MM Sliding Series (Standard Series)

ALUMINUM SLIDING WINDOWS AND DOORS

Aluminum 2-Track with Shutter 2709



Aluminum 3-Track With Shutter 2709 and Mosquito 2706

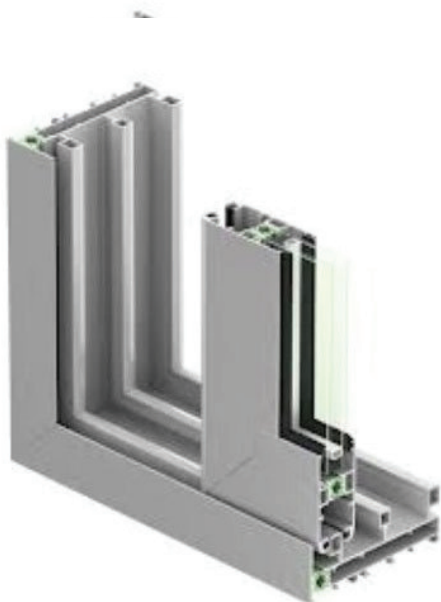


27 MM Sliding Series (Standard Series)

ALUMINUM SLIDING WINDOWS AND DOORS



Aluminum 2-Track Slider



Aluminum 3-Track Slider

40 MM Sliding Series (Premium Series)

ALUMINUM SLIDING WINDOWS AND DOORS

This 40mm Series Also Comes with Aluminum Alloy grade 6063 with hardness of T6. This series is used for high-end doors and selected by most of the premium consumers for their number of applications like in Doors, Windows and Partitions. This series can be used to slide shutter up to 14 feet height. We offer two tracks, three tracks, one fix one slide and one fix two slides' options.

FEATURES:

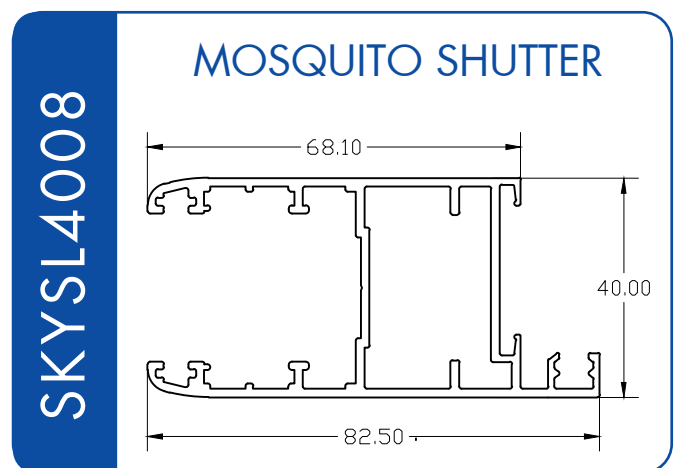
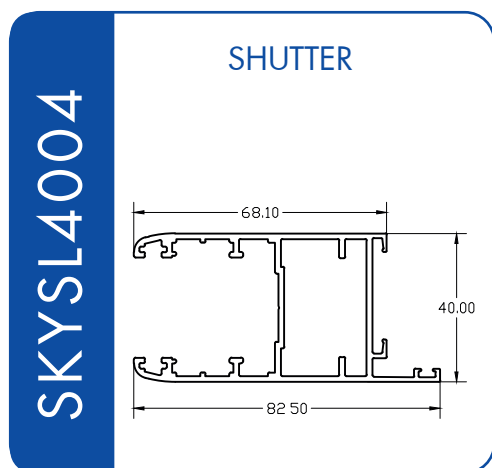
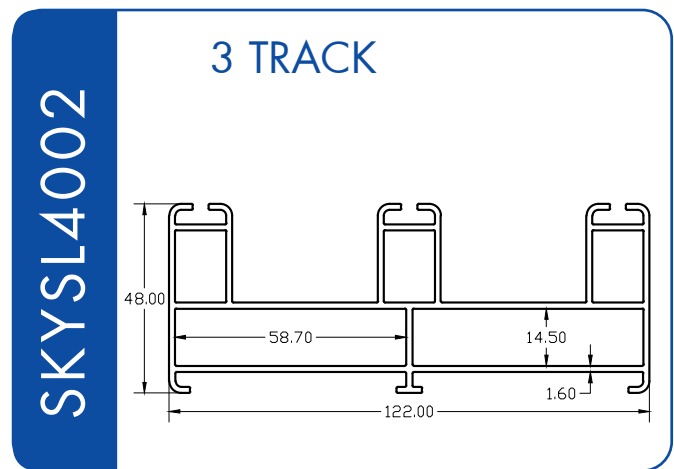
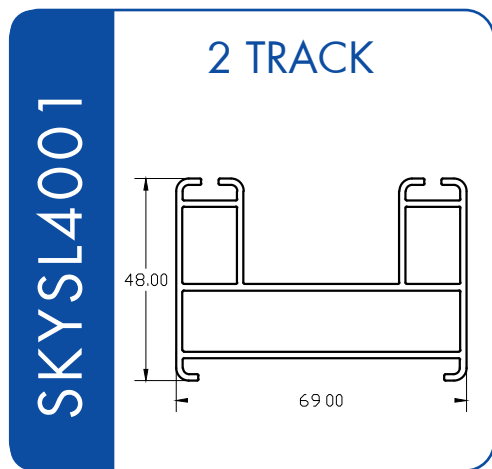
- Dust Proof
- Multiple Locking
- Sound Insulation
- Water Proof
- All Weather Resistance Solution
- EPDM (Ethylene Propylene Diene Monomer) Rubber Gasket
- SS Wall Fasteners
- Long Last Brushes

GLASS OPTIONS: -

- Plain Toughened From 5mm to 12mm Thick
- Double Glass Unit DGU or Heat Insulated Glass with argon gas between two glass max width up to 32mm can be used in this series.
- Security Glass or Laminate Glass
- Designer Glass (Frosted, Color, Flutes, etc.)

40 MM Sliding Series (Premium Series)

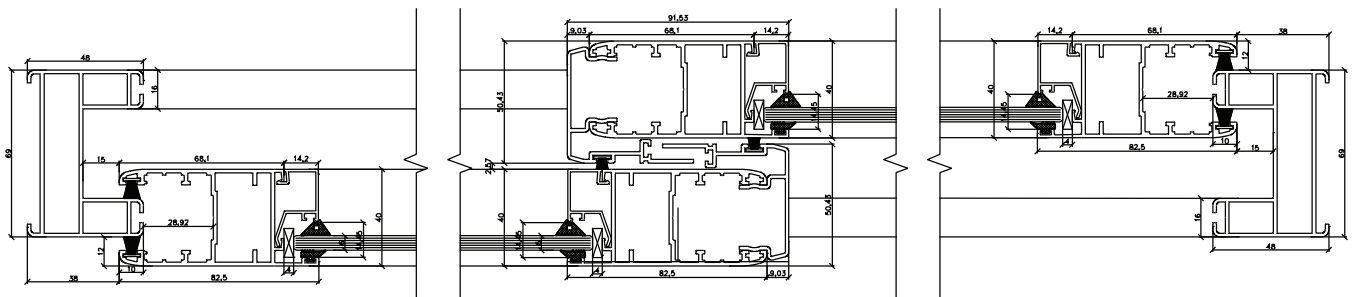
ALUMINUM SLIDING WINDOWS AND DOORS



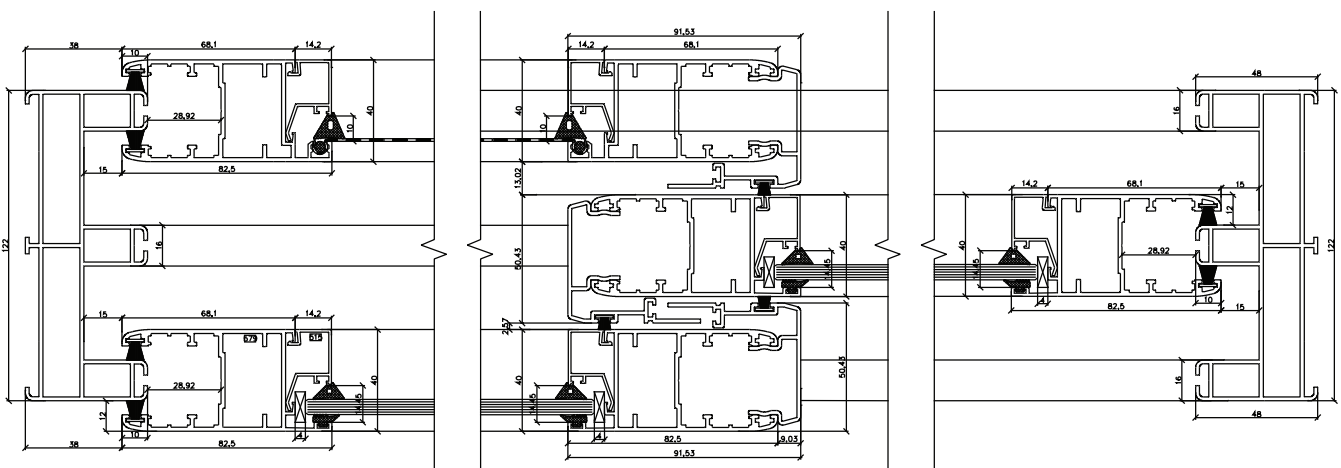
40 MM Sliding Series (Premium Series)

ALUMINUM SLIDING WINDOWS AND DOORS

Aluminum 2-Track with Shutter 2709



Aluminum 3-Track With Shutter 2709 and Mosquito 2706

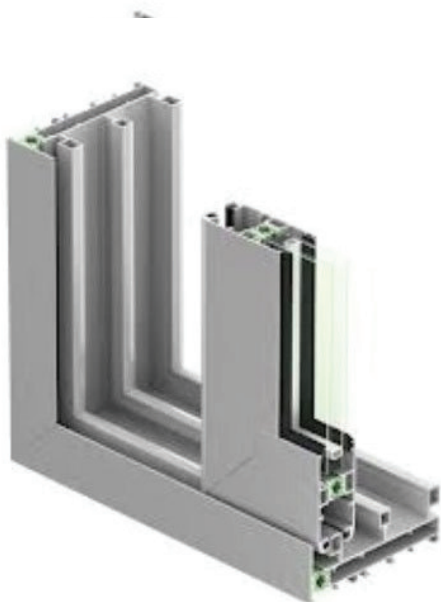


40 MM Sliding Series (Premium Series)

ALUMINUM SLIDING WINDOWS AND DOORS



Aluminum 2-Track Slider



Aluminum 3-Track Slider

Glasses

1. TOUGHENED GLASS:

We consider glass by Saint Gobain and toughened glass or tempered glass has undergone process by control thermal treatment to increase strength. In our system windows and door, we generally used 5mm toughened to 12 mm toughened glass.

Toughened glass known to have higher thermal strength, with the ability to withstand high temperature changes up to 250 degrees Celsius. It is nearly 4 to 5 times stronger than annealed glass.

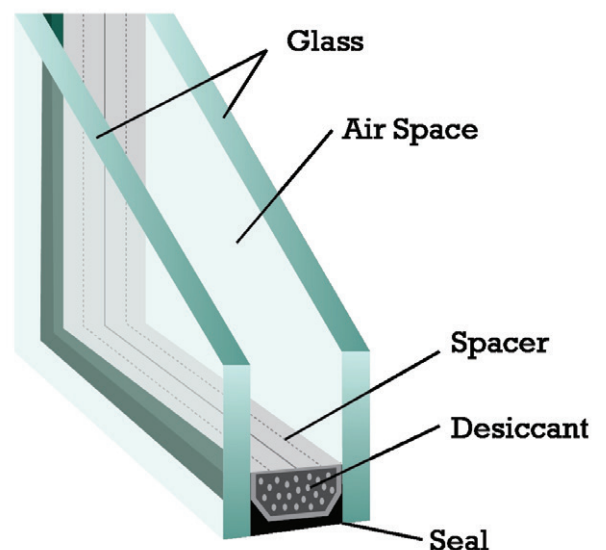


2. DOUBLE GLAZED UNIT (DGU):

It is also called heat insulated glass as it is very good for heat insulation as it is not allowing the inside air to go out or the outside heat comes in. It acts like a barrier and help in energy saving and reduce electricity cost.

Basically, it comes in panel form consist of argon gas between two toughened glass which act as a barrier for air transfer from inside to outside.

In our application, variety of sizes is been used its totally depend on customer demand. Basic panel consist of two toughened glass with argon gas and can use security glass one side in Panel



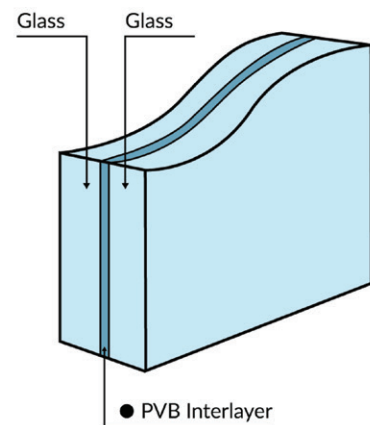
Glasses

SECURITY GLASS OR LAMINATE GLASS

The term "Security" is applied to glazing, which in addition to "Safety", is able to withstand a variety of deliberate attacks such as manual, ballistic. It is for total reassurance of greater safety and security without compromising levels of natural daylight.

In our application we generally use 13.5mm In this we use glass with polyvinyl butyral (PVB) layer this layer sheet install between two toughened glass while manufacturing, this PVB layer hold the glass together when broken and avoid to fall down easily.

LAMINATED GLASS COMPOSITION:



DESIGN GLASS

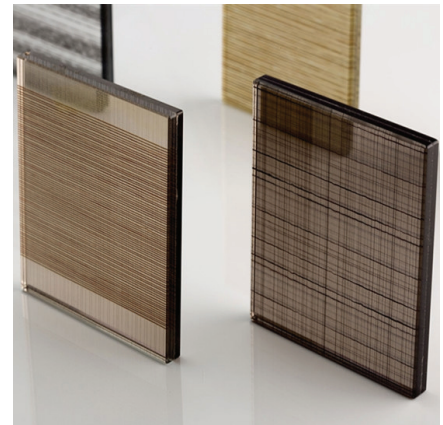
We offer various options to our customer in glass design as following with images reference:



FLUTED DESIGNER GLASS



FROSTED GLASS



FABRIC LAMINATED GLASS



Plot No. 1-15, Khasra No. 24/25/1/2,
Ranjeet Vihar, Phase-2, Nilothi Extn.,
New Delhi - 110041
www.skyarchenterprise.in